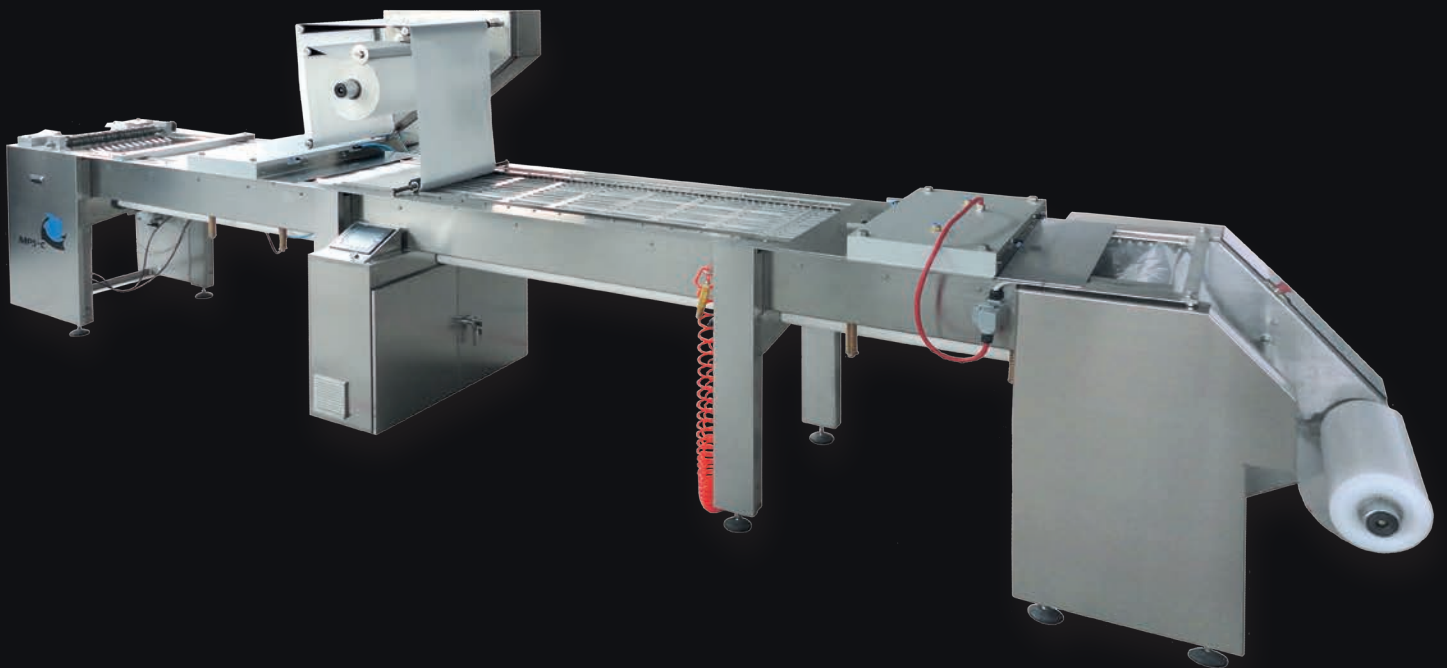




WORKIE

Thermoform-Fill-Seal-Machine



MADE IN
SWITZERLAND



Functional and reliable ...

...For lowest budgets !

This lowest price machine with revolutionary technology is solely built for functionality and equipped only with the absolutely needful accessories for solely guaranteeing an efficient function of the machine. This machine has a phenomenal ratio price to performance.

All our machines are top reliable and nearly maintenance free. For us at MPS «Made in Switzerland» is not only a phrase – it is a guarantee for quality !

Technical specifications **WORKIE**

Machine:	Form-Fill-Seal Machine (Stainless steel)
Model:	„WORKIE“ (NO CE-Mark)
Products to be packed:	Medical products (e.g. syringes, gauze etc.), Non Food
Suitable for:	lowest budgets
Machine length:	approx. 5 m
Loading area:	approx. 1.8 m
Product output:	chute
Film width:	230 mm to 420 mm (customer specific)
Stroke length:	up to 450 mm
Forming area:	max. 435 x 385 mm
Cutting size:	max. 450 x 400 mm
Forming depth:	up to 35 mm (customer specific)
Packing speed:	>12 cycles/minute (cycles in operation, guaranteed at 300mm stroke)
Film:	flexible film, semi-rigid film, rigid film / TOP web only Paper or Tyvek
Water connection:	approx. 60 litres/h (<25°C)
Compressed air connection:	min. 6 bar
Electrical connection:	3 x 400 V + N + E / 50 Hz (different values on request)



MASCHINEN & PACK-SYSTEME AG

LANGACKERSTRASSE 29
6330 CHAM, SWITZERLAND
www.mps-swiss.com

PHONE +41 - 41 - 780 36 81
FAX +41 - 41 - 780 47 33
info@mps-swiss.com